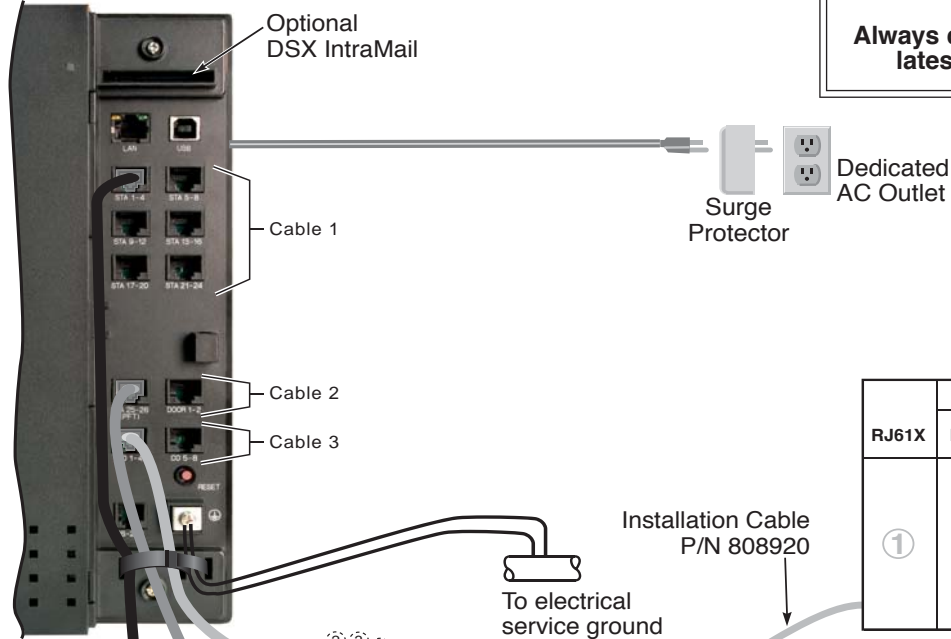


DSX-40 Cabinet

**Important**  
Always check [www.necdsx.com](http://www.necdsx.com) for the latest system software updates.



Lines 1-4 Shown

RJ61X	25-PAIR CABLE			
	RJ61X	COLOR CODE	FUNCTION	BLOCK TERM
①	5	WHT-BLU	1 T	1
	4	BLU-WHT	1 R	2
	3	WHT-ORN	2 T	3
	6	ORN-WHT	2 R	4
	2	WHT-GRN	3 T	5
	7	GRN-WHT	3 R	6
	1	WHT-BRN	4 T	7
	8	BRN-WHT	4 R	8

To Telco

66M1-50 Block

Extensions 324-325 Shown

RJ61X	25-PAIR CABLE			
	RJ61X	COLOR CODE	FUNCTION	BLOCK TERM
①	5	WHT-BLU	324 T	1
	4	BLU-WHT	324 R	2
	3	WHT-ORN	325 T	3
	6	ORN-WHT	325 R	4
	2	WHT-GRN		5
	7	GRN-WHT		6
	1	WHT-BRN		7
	8	BRN-WHT		8

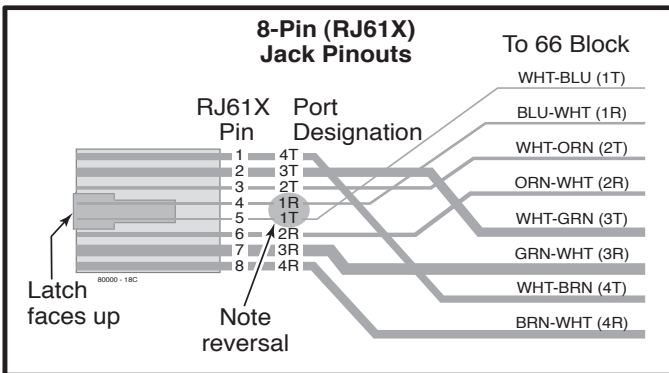
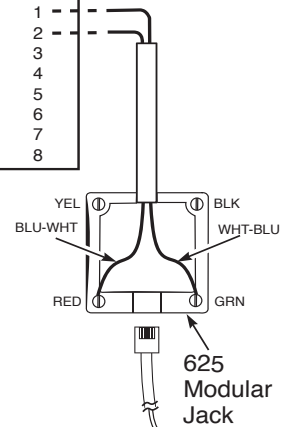
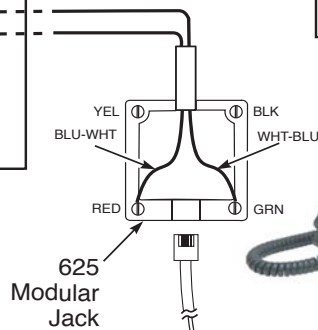
66M1-50 Block

Extensions 300-303 Shown

RJ61X	25-PAIR CABLE			
	RJ61X	COLOR CODE	FUNCTION	BLOCK TERM
①	5	WHT-BLU	300 T	1
	4	BLU-WHT	300 R	2
	3	WHT-ORN	301 T	3
	6	ORN-WHT	301 R	4
	2	WHT-GRN	302 T	5
	7	GRN-WHT	302 R	6
	1	WHT-BRN	303 T	7
	8	BRN-WHT	303 R	8

66M1-50 Block

1093067 - 1



**Important**  
These instructions are for reference only. **Do not** install the system without first reading the Hardware Manual.

## Default Features

Default Features for Lines	
1.	All lines are loop start DTMF. <ul style="list-style-type: none"><li>• Use <i>3101-01: Line Type</i> to change this assignment.</li></ul>
2.	<ul style="list-style-type: none"><li>• Lines 1-8 ring on line keys 1-8 for extensions 300-315.</li><li>• All other extensions are lamp only for lines 1-8.</li></ul>
3.	To customize line ringing, use one of the following: <ul style="list-style-type: none"><li>• User Programmable Features code <b>#RAL</b>. (See the <i>User Programmable Features</i> feature for more.)</li><li>• Use <i>2132-[01-64]: Line Ringing</i>.</li></ul>

Default Features for Extensions	
1.	The circuit types for keyset extensions are automatically set when the extension is plugged in.
2.	Keyset users can place outside calls by: <ul style="list-style-type: none"><li>• Pressing a line key and dialing the outside number. (See the <i>Central Office Calls, Placing</i> feature for more.)</li><li>• Pressing <b>INTERCOM</b>, dialing 9, then dialing the outside number. (See the <i>Line Group Routing</i> feature for more.)</li><li>• Line Dial-Up and Direct Line Access are disabled. (See the <i>Central Office Calls, Placing</i> feature for more.)</li></ul>
3.	All extensions have full incoming and outgoing access to all outside lines. <ul style="list-style-type: none"><li>• See <i>Initial Startup Programming</i> below to change this assignment.</li></ul>
4.	By default, Feature Keys 1-12 are line keys. Keys 13-24 are undefined. See the <i>Feature Keys</i> feature for more.

Default Features for IntraMail	
1.	Each extension has an IntraMail voice mailbox.
2.	All mailboxes are enabled. To disable a mailbox, see <i>2141-01: Station Mailbox Type</i> .
3.	The IntraMail Automated Attendant does not answer outside calls. (See the <i>Automated Attendant</i> feature for more.)

## Initial Startup Programming

- 1. Enter the programming mode.**
  1. From any display telephone, press **INTERCOM** + Dial **###** + Enter the system password + **HOLD**.
  2. The system passwords are:
    - **632379 (NECDSX)** for Installer (level 3), **9999** for System Administrator 2 (level 2), **0000** for System Administrator 1 (level 1).
- 2. Assign the correct circuit type to each of your installed lines.**
  1. In *3101-01: Line Type*, assign the line circuit type (e.g., enter **1** or press Feature Key 2 for loop start).
  2. In *3103-03: DTMF Dialing*, normally enter **1** (or press Feature Key 2) for DTMF dialing.
- 3. By default, each extension has full incoming and outgoing access to each line. To change this assignment:**
  1. In *2131-[01-64]: Line Access*, change each extension's line access as required. The options are:
    - **0** for no access, **1** for incoming access only, **2** for outgoing access only, **3** for full access
  2. Using *902x-Copy* may save you time.
- 4. By default, extensions 300-315 ring immediately day and night for lines 1-8. To change this assignment:**
  1. In *2132-[01-64]: Line Ringing*, set the ringing option for each extension, The options are:
    - **0** for lamp only (no ringing) day and night, **1** for day and night ringing, **2** for night ringing only, **3** for delay ringing day and night
  2. Using *902x-Copy* may save you time.
- 5. To change the default system passwords:**
  1. Turn to the *System Programming Password Protection* feature to learn more about system passwords.

( 1 0 9 3 0 6 7 )